

240W AC-DC POWER ADAPTER (GRT-240AC SERIES)



■ Features :

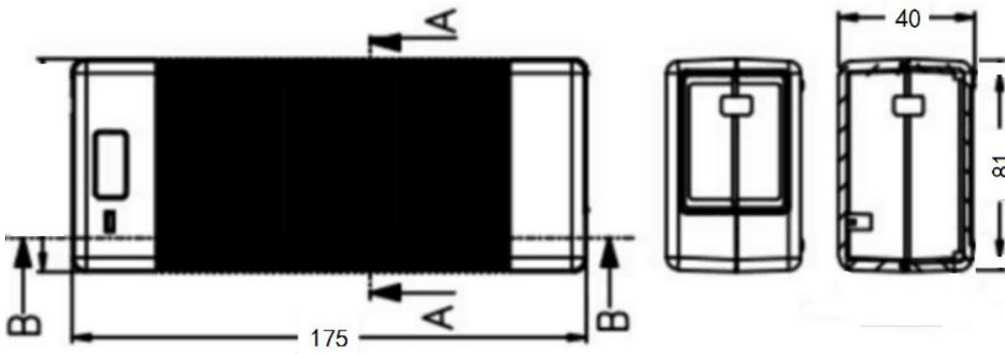
- Universal AC input / Full range(90~264VAC)
- Protections: Short circuit / Over current / Over voltage
- Built-in active PFC function
- Cooling by free air convection
- Class 2 power unit
- Fixed Output current level
- 100% full load burn-in test&High reliability
- Standby Power<0.5W,fully compliance with EU ERP& CoC version 5
- Suitable for all kinds of equipments
- 5 years warranty

■ Specification

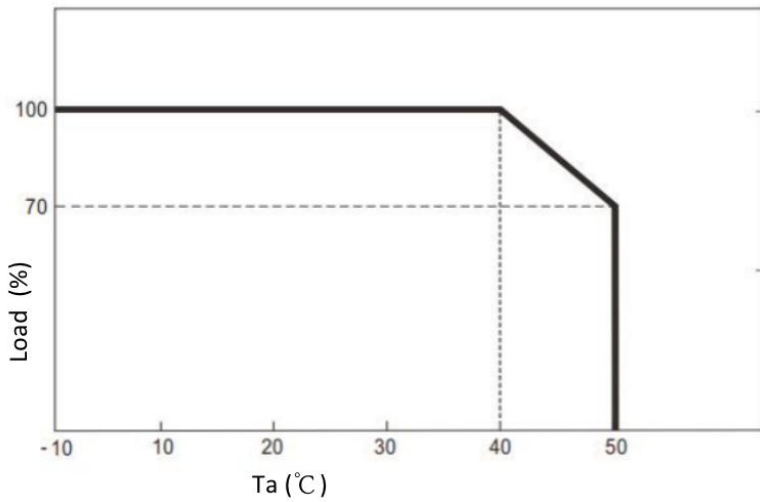
Output	Model 1	GRT240-1201500	GRT240-2401000	GRT240-4800500	GRT240-560230
	DC Voltage 3	12V	24V	48V	56V
	Rated Current	15A	10.0A	5.0A	4.28A
	Current range	0-15A	0-10.0A	0-5.0A	0-4.28A
	Rated power	180W	240W	240W	240W
	Ripple & Noise (max)	200mVp-p	200mVp-p	200mVp-p	200mVp-p
	Volt.accuracy 5	±5.0%	±5.0%	±5.0%	±3.0%
	Line Regulation 6	±1.0%	±1.0%	±1.0%	±1.0%
	Load Regulation 7	±5.0%	±3.0%	±3.0%	±2.0%
	Time:	2000ms, 50ms, 10ms /230VAC 3000ms, 50ms, 10ms /115VAC (@ full load)			
Input	Voltage range	100 ~240VAC			
	Frequency range	47 ~ 63Hz			
	Efficiency (Typ.)	91%	92%	93%	93%
	AC current	3.0A / 115VAC 1.5A / 230VAC			
	Inrush current (max)	Cold start 40A / 115VAC 75A / 230VAC			
	Surge current(max)	0.25mA / 240VAC			
Protection	Over-load	120%~180% Rated output power The power supply shall be protected when output in over-load			
	Over-voltage	110%~140% Rated output voltage The power supply will be restarted recovery when power off			
Environment	Working Temp.	-10 ~ +50°C (refers to deduction curve)			
	Working Humidity	20 ~ 90% RH,non-condensing			
	Temp/humidity Storage	-20 ~ +85°C, 10 ~ 95% RH,non-condensing			
	Temp. coefficient	±0.03% /°C (0 ~ 40°C)			
	Vibration	10 ~ 500Hz, 2G 10m/circle, X、 Y、 Z axis,60m per each			

Safety EMC	Safety Standard	GB4943 , GB4706 , IEC62368-1,EN62368-1UL62368-1,KC60950,EN61558			
	Withstand	I/P-O/P: 3000VAC			
	Insulation	I/P-O/P:10M Ohms / 500VDC / 25° C/ 70% RH			
	EMC 8	Parameter	Standard	Test Level / Note	
Conducted emission		GB17625.1,EN55032,	Class B		
Radiated emission		GB/T-9254, EN55035, GB4343, FCC Part 15,	Class B		
Other	Lifetime	3years : 100% load at 40° C, 12 hours per day			
	MTBF	≥50000hrs min. MIL-HDBK-217F (25° C)			
	Dimension	175*81*40mm (L*W*H)			
	Packing	0.16Kg; 96pcs/16.4Kg/0.89CUFT			
Plugs	AC Input	Fixed AC plug (2~3pins),like as EU, UK,US,AU,CN,KR,JP ect			
	DC output	According to clients' requirements			
Remarks	1. Model series,details as below list:				
	Part Number	Input	Output		
			Voltage(V ~)	Current(A)	Power(W)max
	GRT150-XXXXXX-F	100-240V ~/1.5A sMax/50-60Hz	12	0.10-15	180
			24	0.10-10	240
			36	0.10-6.67	240
			48	0.10-5	240
			56	0.10-4.29	240
	Notes:				
	XXX:Three digits number which represents output voltage from 12.0Vdc to 56.0Vdc, minimum rising step is 0.1V. (e.g:120=12.0V,240=24.0V,360=36.0V,480=48.0V,520=52.0V,560=56.0V)				
YYY:Three digits number which represents output current from 0.1A to 7.5A, minimum rising step is 0.01A (e.g.: 001=0.1A, 750=7.5A.)					
F: means the adapter attached the power cords (both Input cord /output cord) GRT240-XXXXXX-F: means the adapter attached input power cord GRT240-XXXXXX: means the adapter with IEC320-C14 inlet (no AC cord)					
2. If without special requirements, all specification parameters are tested under specified conditions (with input 230VAC, rated load at 25° C 70%RH)					
3. DC voltage test: test at AC socket at 50% load					
4. Ripple & noise test :use one #12 UTP, the oscilloscope set to 20MHZ bandwidth limit,parallel with0.1uF and 10uF capacitors					
5. Accuracy: Includes setting error,rate of linear regulation / load regulation 6.Linear Regulation: Test from low voltage to high voltage at rated load					
7. Load regulation:test the rated load from 10% to 100%					
8. The item has passed EMC test					

■ Dimension(mm)



■ Derating Curve



■ Disclaimer

Subject to change without notice. Errors and omission excepted. Always make sure to use the most recent release.